



Technical datasheet

SPT31500



Brand	EREA
Article Number	SPT31500
EAN-code Barcode	5414503004727
Code	2711
Product type	Three-phase separating transformer
Primary Voltage	3x 230V Δ -- 3x 400V Y+N
Secondary Voltage	3 x 230V Δ -- 3x 400V Y+N
Power	31 500 VA
Standards	EN 60726 EN 60076

General properties

Applications	For industrial applications	Maximum ambient temperature ta	40 °C
Protection class	Prepared for protection class I	Temperature class transfo	F
Degree of protection	IP00	Finishing	Vacuum- and pressure- varnish impregnated

Electrical properties

Frequency	50-60 Hz	Efficiency	96,8 %
Po	228 W	Pcu	759 W
Dielectric Strength	4500 Vac	Insulation resistance	200 MΩ
Dielectric strength referred to frame	2500 Vac	Specific property	Windings not connected
Voltage drop (dU%)	2,39 %	Short-circuit voltage (Ucc %)	-
Recommended fuse PRI	D125A (3x230V Δ) D80A (3x400V Y+N)	Recommended fuse SEC	C80A (3x230V Δ) C50A (3x400V Y+N)

Mechanical properties

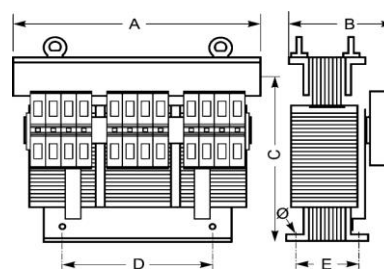
Primary connection	Nut fixing M8
Secondary connection	Nut fixing M8
Fixation	Supports with fixing holes

Protection case

Housing IP20	U 2222722
Housing IP23	K23EI400/008
Housing IP44	K44EI400/030

Dimensions/weight

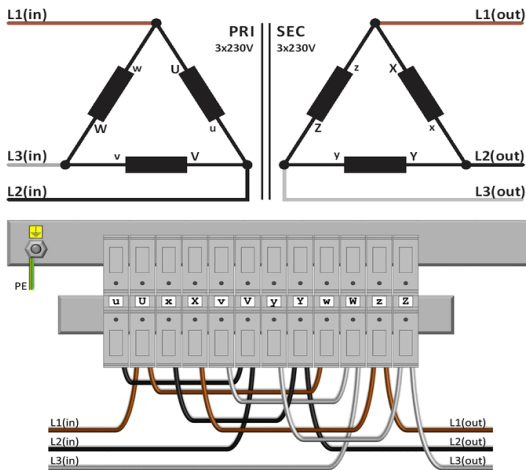
Dimensions AxBxC	480x310x415 mm
Dimension D	320 mm
Dimension E	210 mm
Dimension Φ	11 mm
Weight	141 kg



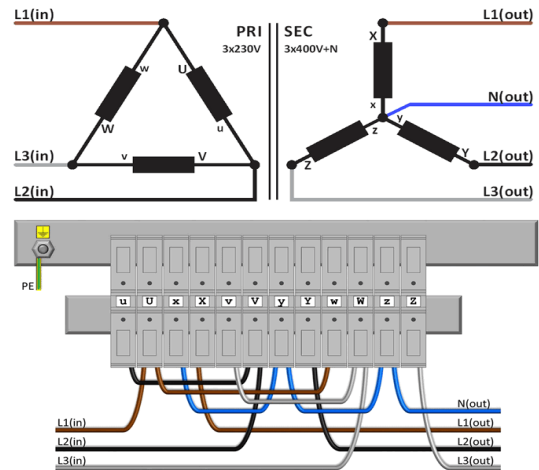


Connection diagram SPT31500

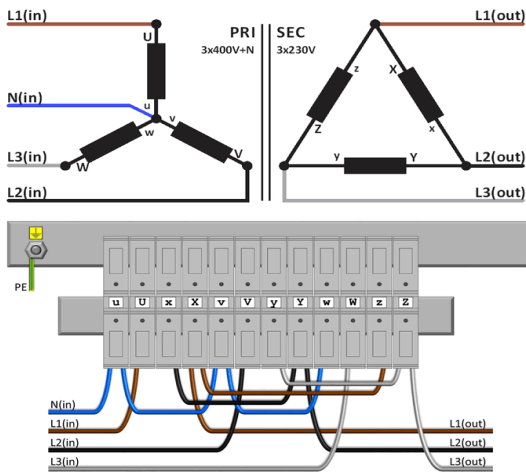
230V Δ → 230V Δ



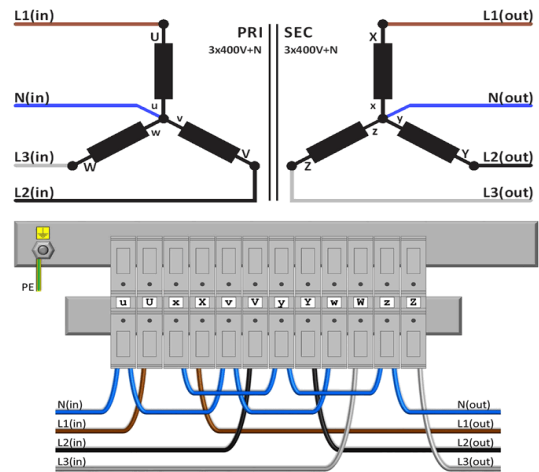
230V Δ → 400V Y+N



400V Y+N → 230V Δ



400V Y+N → 400V Y+N





Accessories SPT31500

IP20 housing

U 2222722



IP23 housing

K23EI400/008



Vibration damper

(4 pieces needed per transformer)

Silent block 50

