



Technical datasheet

PVT8000/IRC



Brand	EREA
Article Number	PVT8000/IRC
EAN-code Barcode	5414503118479
Code	11847
Product type	Three-phase transformer - Low inrush current
Primary Voltage	3x 230V Δ -- 3x 400V Y+N
Secondary Voltage	3x 400V Y+N
Power	8.000 VA
Standards	EN 61558-2-4

General properties

Applications	For PV installations	Maximum ambient temperature t_a	40 °C
Protection class	Prepared for protection class I	Temperature class transfo	B
Degree of protection	IP00	Finishing	Vacuum- and pressure- varnish impregnated

Electrical properties

Frequency	50-60 Hz	Efficiency η (regime)	97,4 %
No-load Loss P_o	40 W	Full-load losses P_{cu} (regime)	170 W
Dielectric Strenght PRI-SEC	4500 Vac	Insulation resistance	200 M Ω
Dielectric strength vs. frame	2500 Vac	Specific property	Primary not connected, secondary star connected
Voltage drop ΔU	2,1 %	Short-circuit voltage U_{cc}	1,9 %
Recommended fuse PRI	C20A (3x230V Δ) C13A (3x400V Y+N)	Recommended fuse SEC	C13A (3x400V Y+N)

Mechanical properties

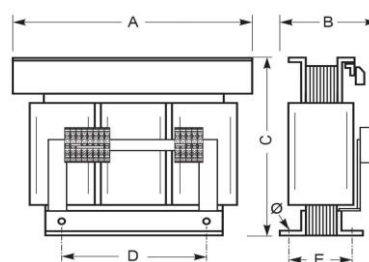
Primary connection	Push-X Connector 10mm ²
Secondary connection	Push-X Connector 10mm ²
Fixation	Supports with fixing holes

Protection case

Housing IP20	K20PVT/010
Housing IP23	K23PVT/010
Housing IP44	K44EI400/010

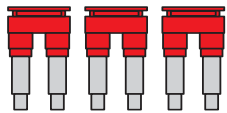
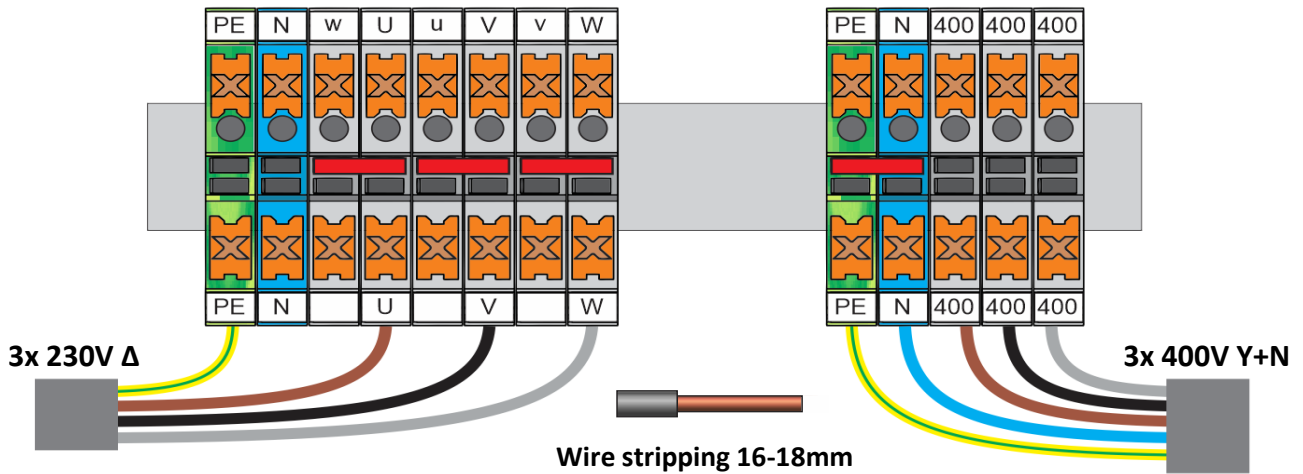
Dimensions/weight

Dimensions AxBxC	420x240x365 mm
Dimension D	280 mm
Dimension E	193 mm
Dimension Φ	11 mm
Weight	100 kg



Connection diagram PVT8000/IRC

3x 230V Δ → 3x 400V Y+N (Dy11)



Mount three jumpers
for primary 3x 230V operation

(Required jumpers are included)



Remove jumper for
IT earthing system

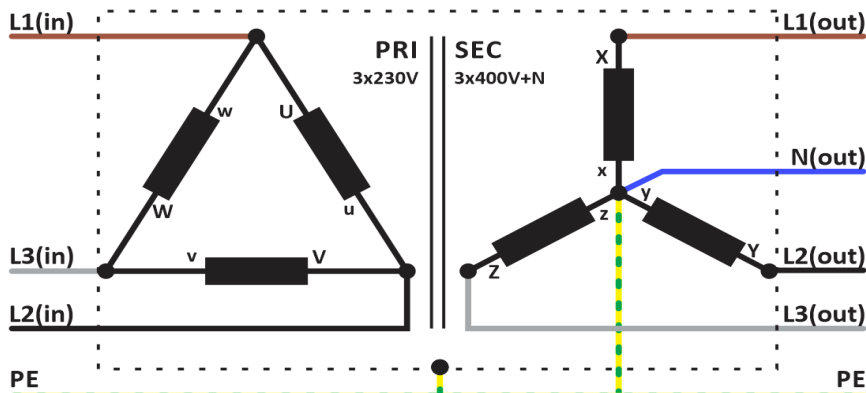


Place jumper for
TT- or TN earthing systems

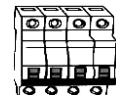
Recommended
fuse PRI



3P C20A



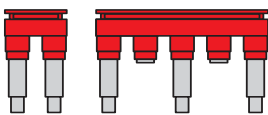
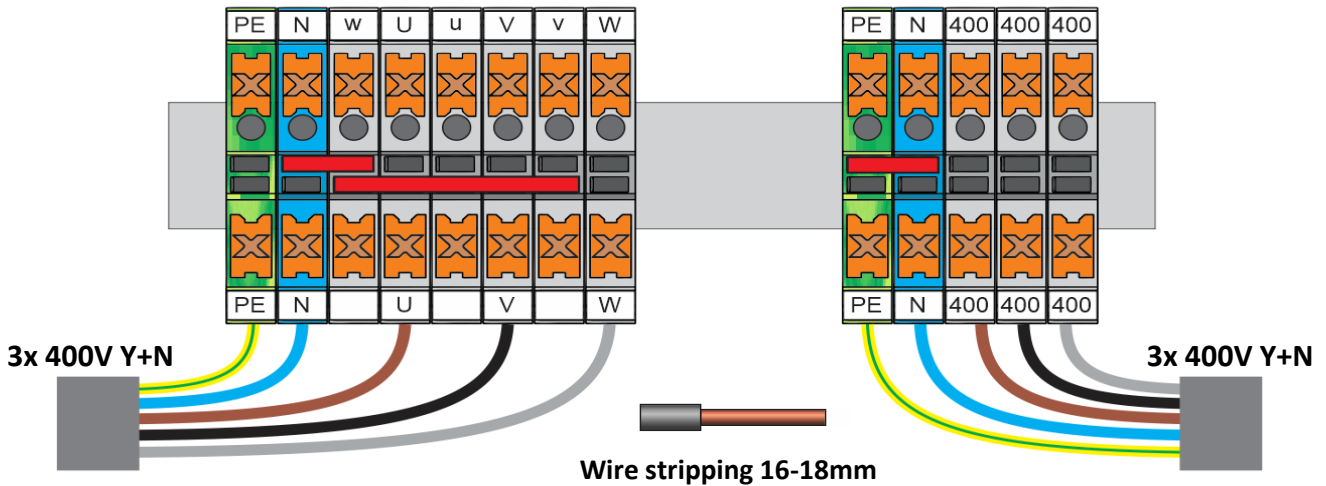
Recommended
fuse SEC



4P C13A

Connection diagram PVT8000/IRC

3x 400V Y+N → 3x 400V Y+N (Yy0)



Mount both jumpers
for primary 3x 400V operation

(Required jumpers are included)



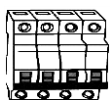
Remove jumper for
IT earthing system



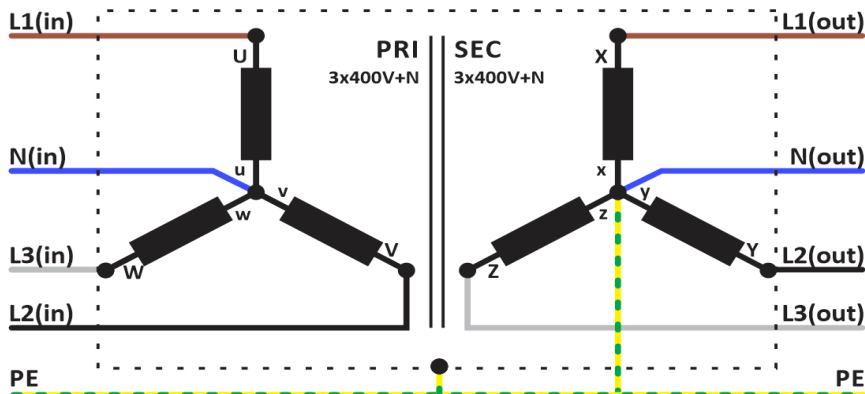
Place jumper for
TT- or TN earthing systems

Recommended

fuse PRI

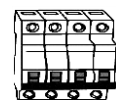


4P C13A



Recommended

fuse SEC



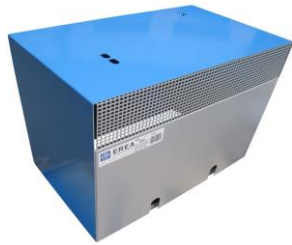
4P C13A



Accessories PVT8000/IRC

IP20 housing

K20PVT/010



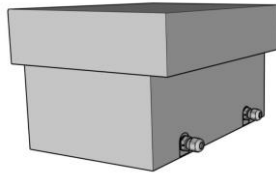
IP23 housing

K23PVT/010



IP44 housing

K44EI400/010



rev. 21.02.2023