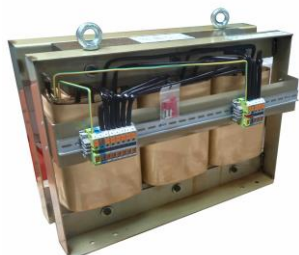




Technical datasheet

PVT25000/IRC



Brand	EREA
Article Number	PVT25000/IRC
EAN-code Barcode	5414503118516
Code	11851
Product type	Three-phase transformer - Low inrush current
Primary Voltage	3x 230V Δ -- 3x 400V Y+N
Secondary Voltage	3x 400V Y+N
Power	25.000 VA
Standards	EN 61558-2-4

General properties

Applications	For PV installations	Maximum ambient temperature t_a	40 °C
Protection class	Prepared for protection class I	Temperature class transfo	B
Degree of protection	IP00	Finishing	Vacuum- and pressure- varnish impregnated

Electrical properties

Frequency	50-60 Hz	Efficiency η (regime)	97,2 %
No-load Loss P_o	65 W	Full-load losses P_{cu} (regime)	660 W
Dielectric Strength PRI-SEC	4500 Vac	Insulation resistance	200 M Ω
Dielectric strength vs. frame	2500 Vac	Specific property	Primary not connected, secondary star connected
Voltage drop ΔU	2,6 %	Short-circuit voltage U_{cc}	5,2 %
Recommended fuse PRI	C63A (3x230V Δ) C40A (3x400V Y+N)	Recommended fuse SEC	C40A (3x400V Y+N)

Mechanical properties

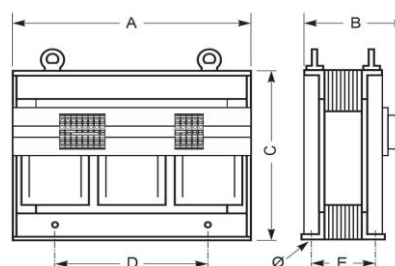
Primary connection	Push-X Connector 10mm ²
Secondary connection	Push-X Connector 10mm ²
Fixation	Supports with fixing holes

Protection case

Housing IP20	K20PVT/025
Housing IP23	K23PVT/025
Housing IP44	K44EI500/010

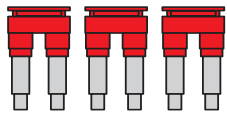
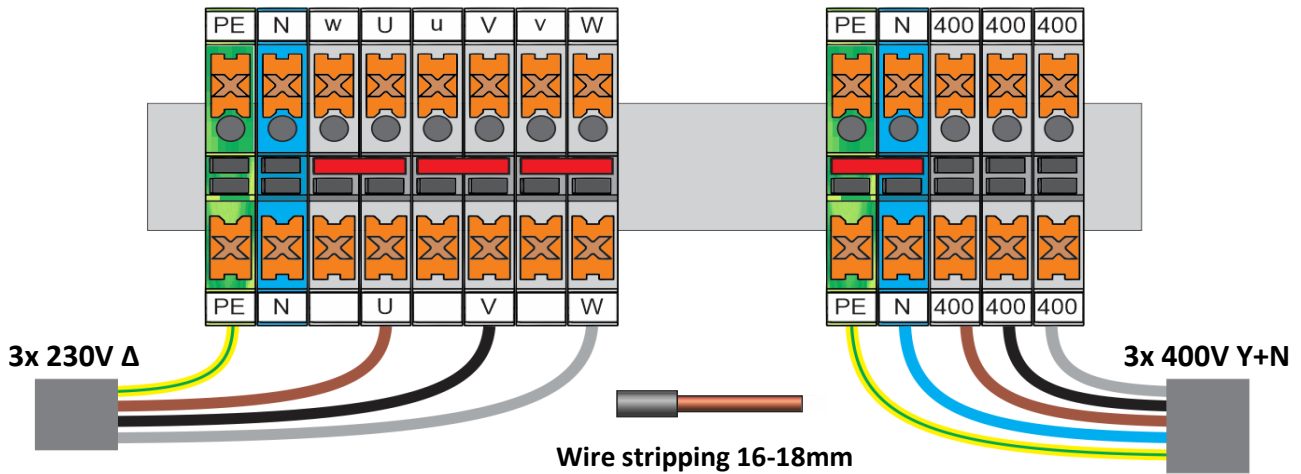
Dimensions/weight

Dimensions AxBxC	640x360x500 mm
Dimension D	400 mm
Dimension E	180 mm
Dimension Φ	11 mm
Weight	215 kg



Connection diagram PVT25000/IRC

3x 230V Δ → 3x 400V Y+N (Dy11)



Mount three jumpers
for primary 3x 230V operation

(Required jumpers are included)



Remove jumper for
IT earthing system

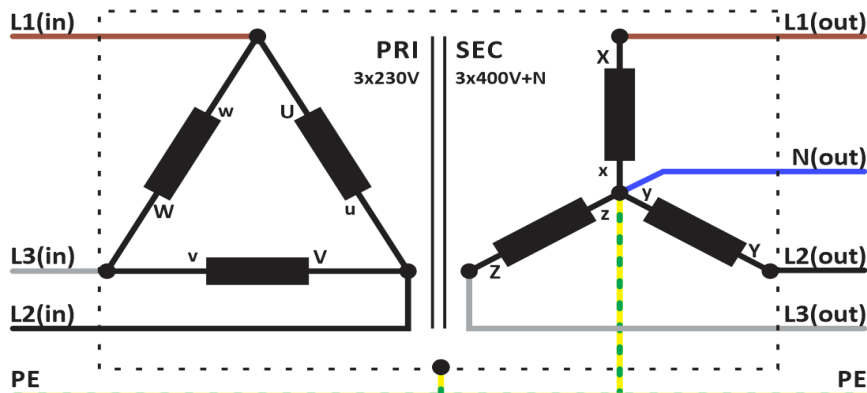


Place jumper for
TT- or TN earthing systems

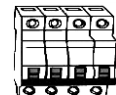
Recommended
fuse PRI



3P C63A



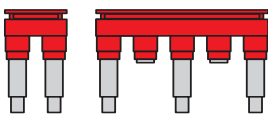
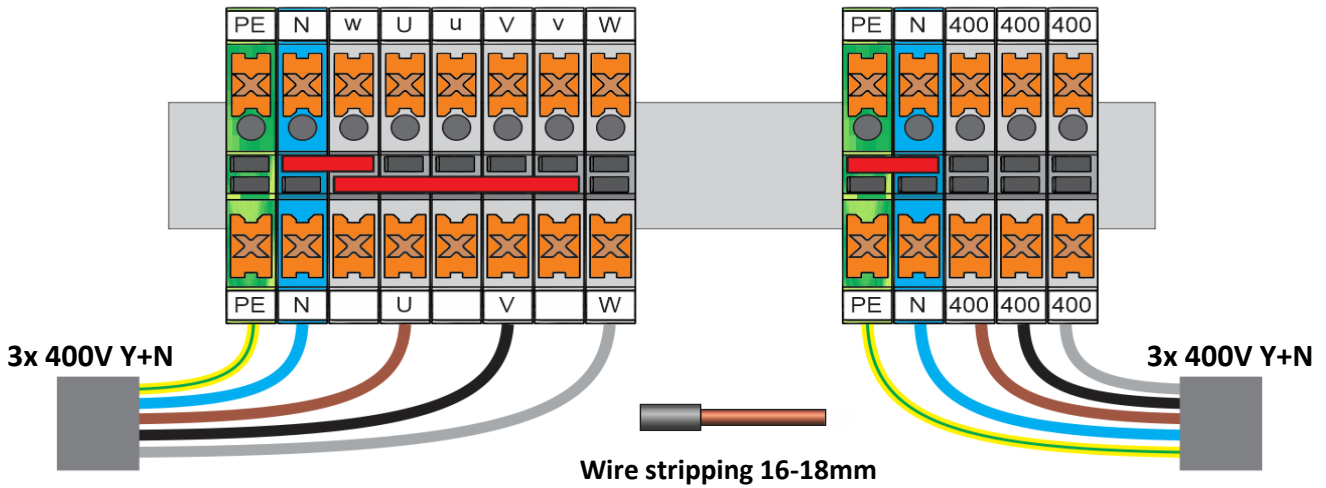
Recommended
fuse SEC



4P C40A

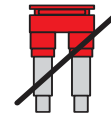
Connection diagram PVT25000/IRC

3x 400V Y+N → 3x 400V Y+N (Yy0)



Mount both jumpers
for primary 3x 400V operation

(Required jumpers are included)

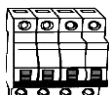


Remove jumper for
IT earthing system

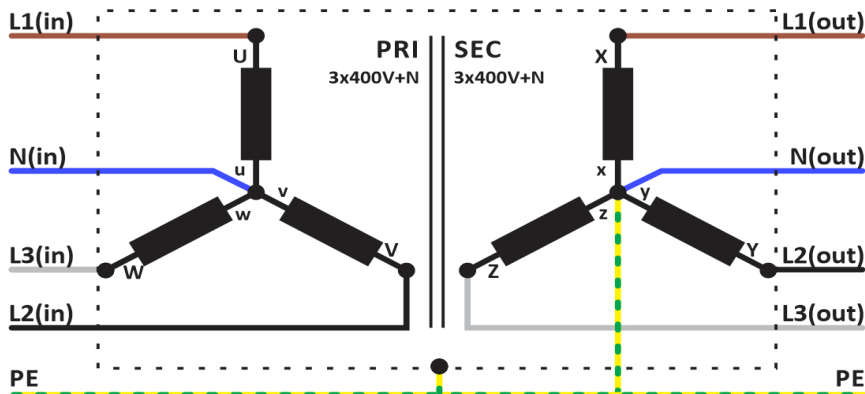


Place jumper for
TT- or TN earthing systems

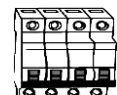
Recommended
fuse PRI



4P C40A



Recommended
fuse SEC



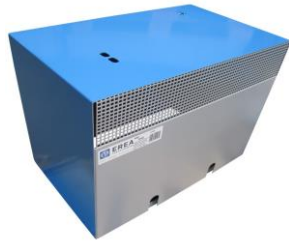
4P C40A



Accessories PVT25000/IRC

IP20 housing

K20PVT/025



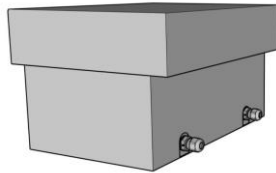
IP23 housing

K23PVT/025



IP44 housing

K44EI500/010



rev. 21.02.2023