



Technical datasheet

PVT15000/IRC



Brand	EREA
Article Number	PVT15000/IRC
EAN-code Barcode	5414503118493
Code	11849
Product type	Three-phase transformer - Low inrush current
Primary Voltage	3x 230V Δ -- 3x 400V Y+N
Secondary Voltage	3x 400V Y+N
Power	15.000 VA
Standards	EN 61558-2-4

General properties

Applications	For PV installations	Maximum ambient temperature ta	40 °C
Protection class	Prepared for protection class I	Temperature class transfo	B
Degree of protection	IP00	Finishing	Vacuum- and pressure- varnish impregnated

Electrical properties

Frequency	50-60 Hz	Efficiency η (regime)	96,8 %
No-load Loss Po	55 W	Full-load losses Pcu (regime)	440 W
Dielectric Strenght PRI-SEC	4500 Vac	Insulation resistance	200 MΩ
Dielectric strength vs. frame	2500 Vac	Specific property	Primary not connected, secondary star connected
Voltage drop ΔU	2,9 %	Short-circuit voltage Ucc	-
Recommended fuse PRI	C40A (3x230V Δ) C25A (3x400V Y+N)	Recommended fuse SEC	C25A (3x400V Y+N)

Mechanical properties

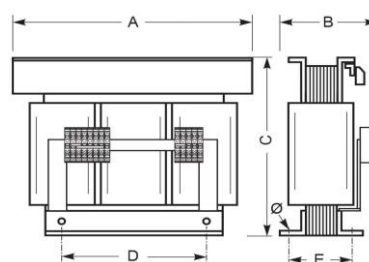
Primary connection	Push-X Connector 10mm ²
Secondary connection	Push-X Connector 10mm ²
Fixation	Supports with fixing holes

Protection case

Housing IP20	K20PVT/015
Housing IP23	K23PVT/015
Housing IP44	K44EI400/030

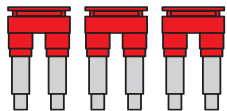
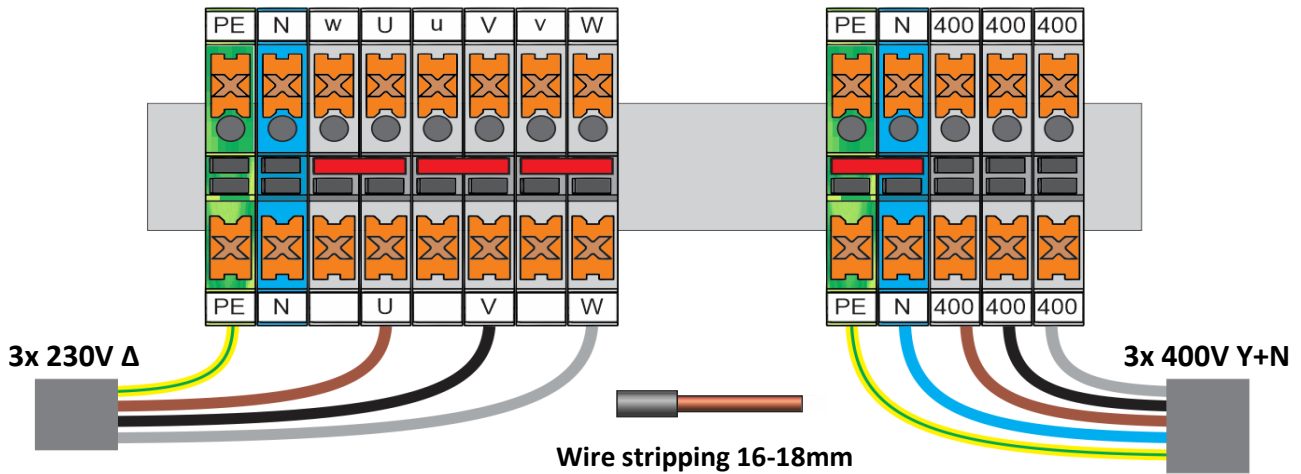
Dimensions/weight

Dimensions AxBxC	480x370x415 mm
Dimension D	320 mm
Dimension E	210 mm
Dimension Φ	11 mm
Weight	140 kg



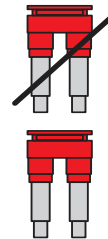
Connection diagram PVT15000/IRC

3x 230V Δ → 3x 400V Y+N (Dy11)



Mount three jumpers
for primary 3x 230V operation

(Required jumpers are included)



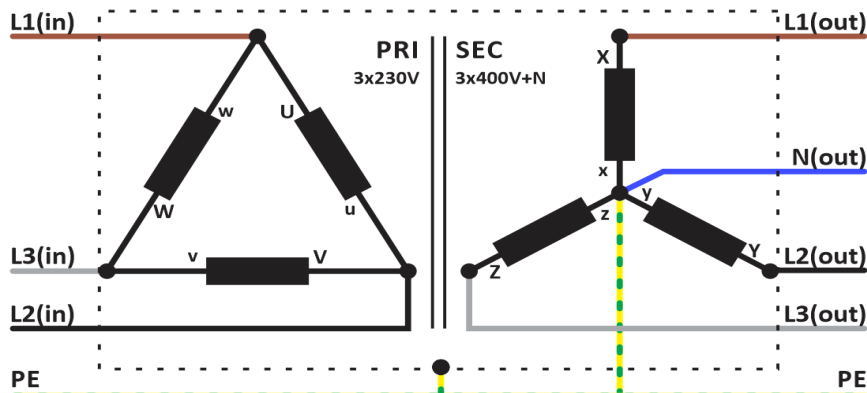
Remove jumper for
IT earthing system

Place jumper for
TT- or TN earthing systems

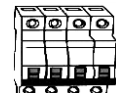
Recommended
fuse PRI



3P C40A



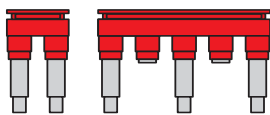
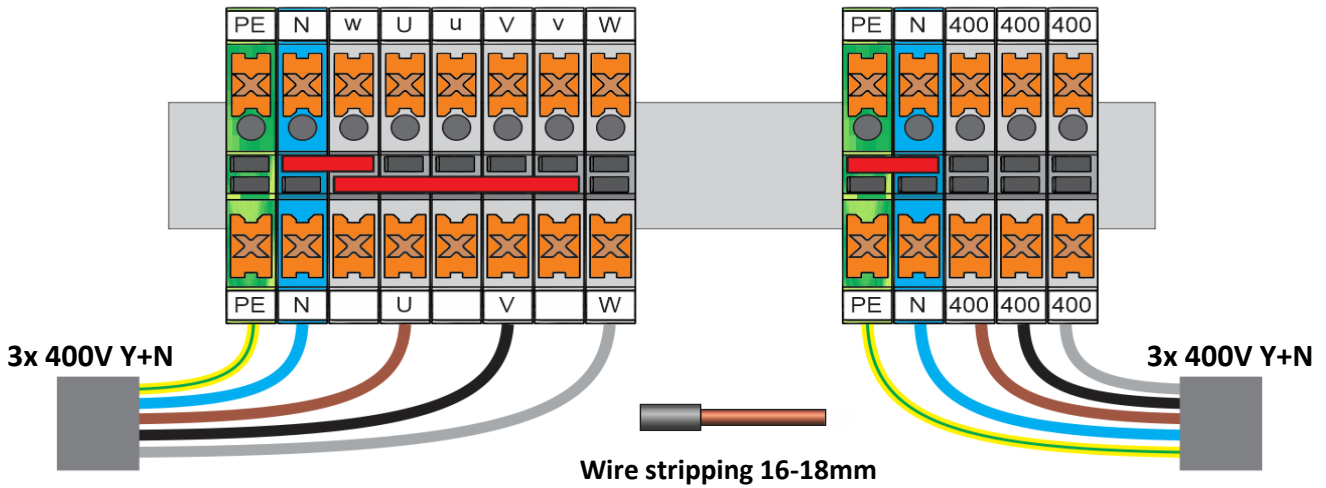
Recommended
fuse SEC



4P C25A

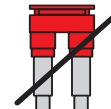
Connection diagram PVT15000/IRC

3x 400V Y+N → 3x 400V Y+N (Yy0)



Mount both jumpers
for primary 3x 400V operation

(Required jumpers are included)

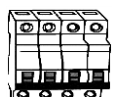


Remove jumper for
IT earthing system

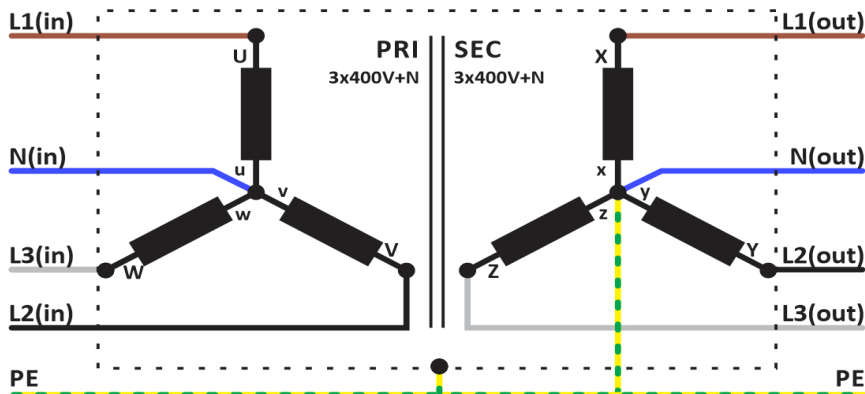


Place jumper for
TT- or TN earthing systems

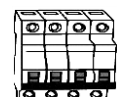
Recommended
fuse PRI



4P C25A



Recommended
fuse SEC



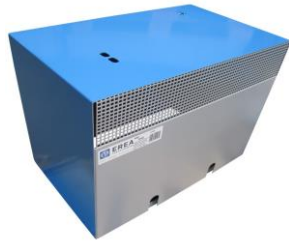
4P C25A



Accessories PVT15000/IRC

IP20 housing

K20PVT/015



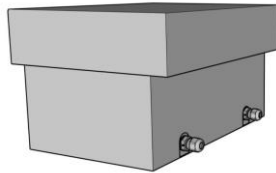
IP23 housing

K23PVT/015



IP44 housing

K44EI400/030



rev. 21.02.2023