



## Technical datasheet ECT22000/IRC



Brand	EREA
Article Number	ECT22000/IRC
EAN-code Barcode	5414503115393
Code	11539
Product type	Three-phase transformer - Low inrush current
Primary Voltage	3x 230V Δ -- 3x 400V Y+N
Secondary Voltage	3x 400V Y+N
Power	22 000 VA
Standards	EN 61558-2-4

### General properties

Applications	For electric charging stations	Maximum ambient temperature ta	40 °C
Protection class	Prepared for protection class I	Temperature class transfo	B
Degree of protection	IP00	Finishing	Vacuum- and pressure- varnish impregnated

### Electrical properties

Frequency	50-60 Hz	Efficiency	97,2 %
Po	75 W	Pcu	578 W
Dielectric Strength	4500 Vac	Insulation resistance	200 MΩ
Dielectric strength referred to frame	2500 Vac	Specific property	Primary not connected, secondary star connected
Voltage drop (dU%)	2,6 %	Short-circuit voltage (Ucc %)	-
Recommended fuse PRI	C63A ( 3x230V Δ ) C32A ( 3x400V Y+N )	Recommended fuse SEC	C32A ( 3x400V Y+N )

### Mechanical properties

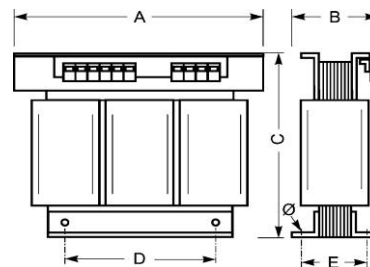
Primary connection	Screw terminals 10 mm <sup>2</sup>
Secondary connection	Screw terminals 10 mm <sup>2</sup>
Fixation	Supports with fixing holes

### Protection case

Housing IP20	K20ECT/050
Housing IP23	K23ECT/050
Housing IP44	K44EI400/010

### Dimensions/weight

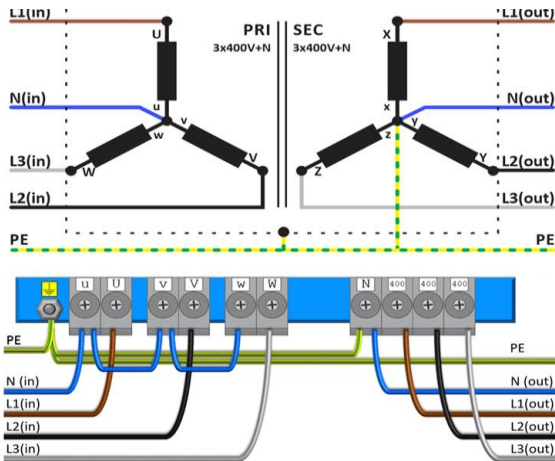
Dimensions AxBxC	480x270x415 mm
Dimension D	320 mm
Dimension E	240 mm
Dimension Φ	11 mm
Weight	168 kg



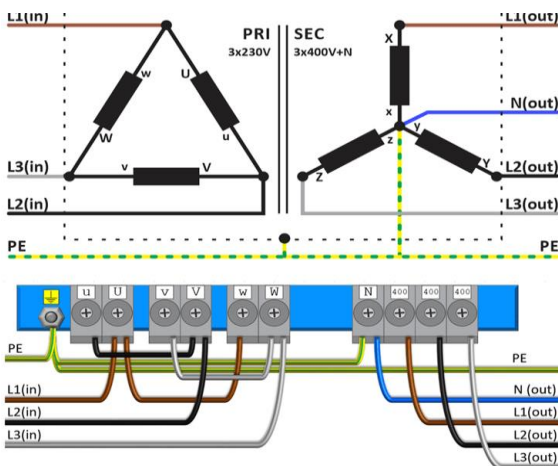


## Connection diagram ECT22000/IRC

### 3x400V → 3x400V



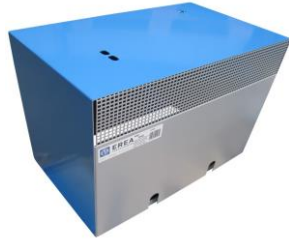
### 3x230V → 3x400V





## Accessories ECT22000/IRC

IP20 housing



**K20ECT/050**

IP23 housing



**K23ECT/050**

Vibration damper

(4 pieces needed per transformer)



**Silent block 50**



rev. 08.07.2021