



Technical datasheet

ECT11000/IRC



Brand	EREA
Article Number	ECT11000/IRC
EAN-code Barcode	5414503115386
Code	11538
Product type	Three-phase transformer - Low inrush current
Primary Voltage	3x 230V Δ -- 3x 400V Y+N
Secondary Voltage	3x 400V Y+N
Power	11.000 VA
Standards	EN 61558-2-4

General properties

Applications	For electric charging stations	Maximum ambient temperature ta	40 °C
Protection class	Prepared for protection class I	Temperature class transfo	B
Degree of protection	IP00	Finishing	Vacuum- and pressure- varnish impregnated

Electrical properties

Frequency	50-60 Hz	Efficiency η (regime)	97,5 %
No-load Loss Po	58 W	Full-load losses Pcu (regime)	222 W
Dielectric Strenght PRI-SEC	4500 Vac	Insulation resistance	200 MΩ
Dielectric strength vs. frame	2500 Vac	Specific property	Primary not connected, secondary star connected
Voltage drop ΔU	2 %	Short-circuit voltage Ucc	-
Recommended fuse PRI	C32A (3x230V Δ) C16A (3x400V Y+N)	Recommended fuse SEC	C16A (3x400V Y+N)

Mechanical properties

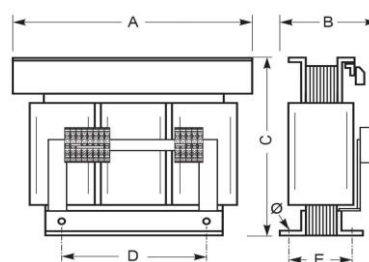
Primary connection	Push-X Connector 10mm ²
Secondary connection	Push-X Connector 10mm ²
Fixation	Supports with fixing holes

Protection case

Housing IP20	K20ECT/040
Housing IP23	K23ECT/040
Housing IP44	K44EI400/010

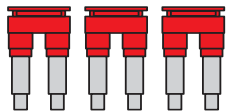
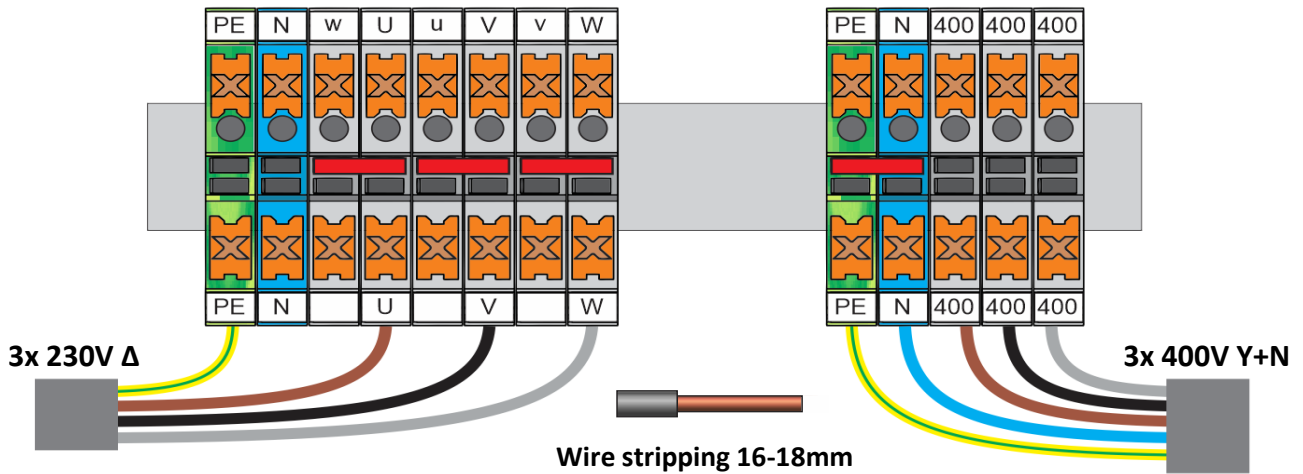
Dimensions/weight

Dimensions AxBxC	420x270x365 mm
Dimension D	280 mm
Dimension E	223 mm
Dimension Φ	11 mm
Weight	121 kg



Connection diagram ECT11000/IRC

3x 230V Δ → 3x 400V Y+N (Dy11)



Mount three jumpers
for primary 3x 230V operation

(Required jumpers are included)



Remove jumper for
IT earthing system

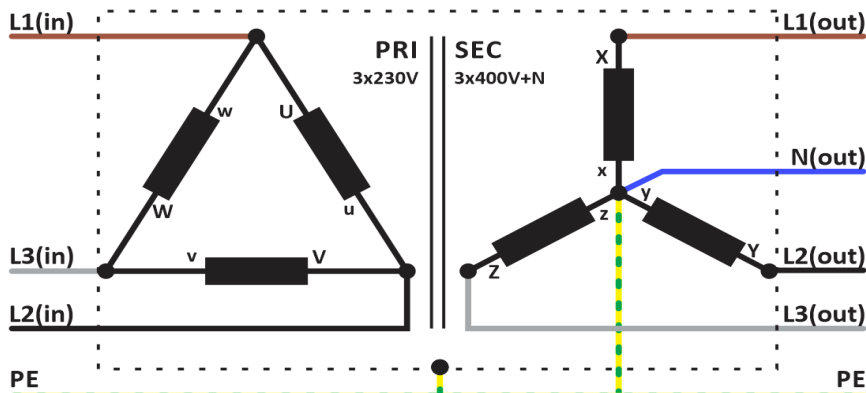


Place jumper for
TT- or TN earthing systems

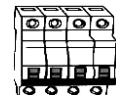
Recommended
fuse PRI



3P C32A



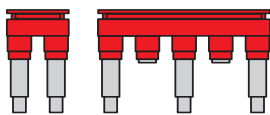
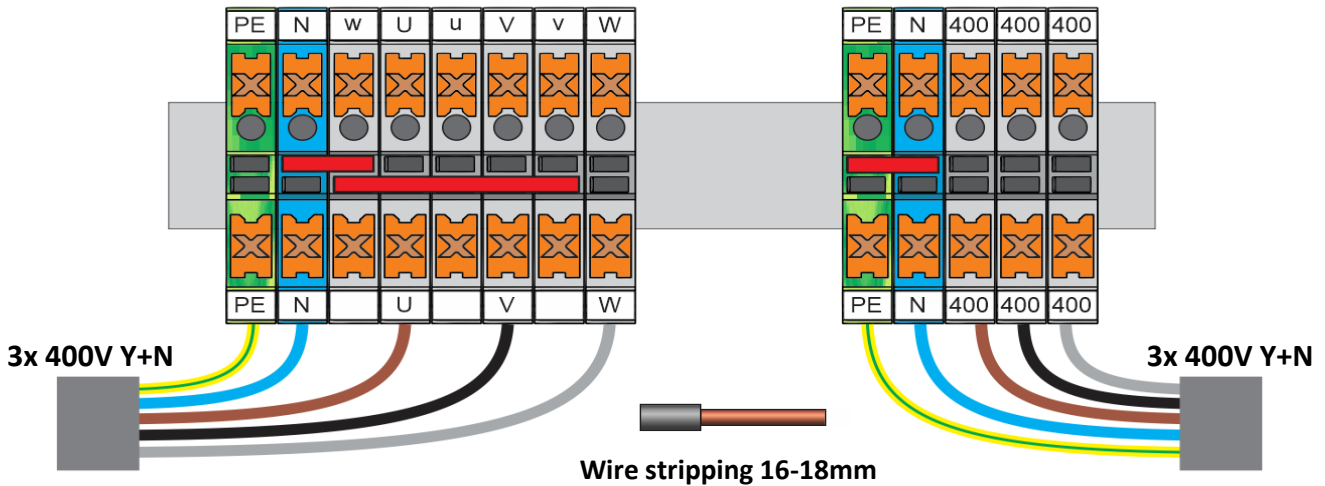
Recommended
fuse SEC



4P C16A

Connection diagram ECT11000/IRC

3x 400V Y+N → 3x 400V Y+N (Yy0)



Mount both jumpers
for primary 3x 400V operation

(Required jumpers are included)

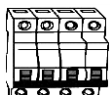


Remove jumper for
IT earthing system

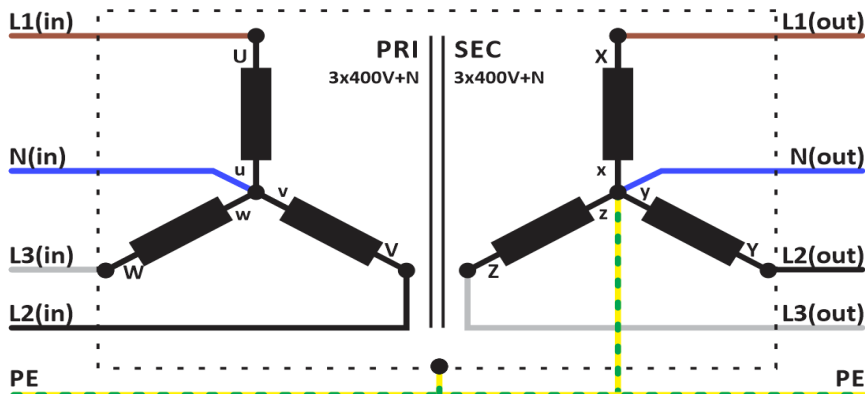


Place jumper for
TT- or TN earthing systems

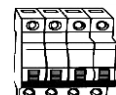
Recommended
fuse PRI



4P C16A



Recommended
fuse SEC



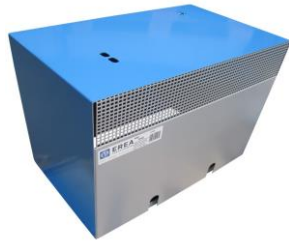
4P C16A



Accessories ECT11000/IRC

IP20 housing

K20ECT/040



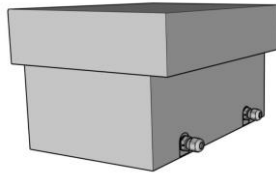
IP23 housing

K23ECT/040



IP44 housing

K44EI400/010



rev. 21.02.2023